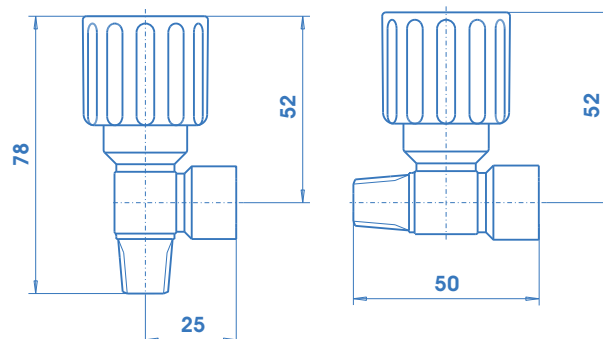




Valves EV-V6E-3 (left) and DV-V6E-3 (right)

Dimensions valves V6E-3



Product features

- Control valve (e.g. for the pressure regulator outlet)
- High control accuracy
- Shut-off valve (e.g. for in- and outlets of pressure regulators with inert gas purge arrangement)
- Suitable for corrosive gases
- Diaphragm metal-to-metal sealed to atmosphere
- Ergonomically designed
- New laboratory-style design
- Compact design

Technical data

Operating pressure

Control valve:	max. 50 bar
Shut-off valve:	max. 200 bar

Nominal size	3 mm
--------------	------

Materials

Body:	SS 1.4435 (SS 316 L)
Diaphragm:	Duratherm 600
Control spindle:	SS 1.4404 (SS 316 L)

Inlet connector	1/4"-18 NPT-M
-----------------	---------------

Outlet connector	1/4"-NPT female
------------------	-----------------

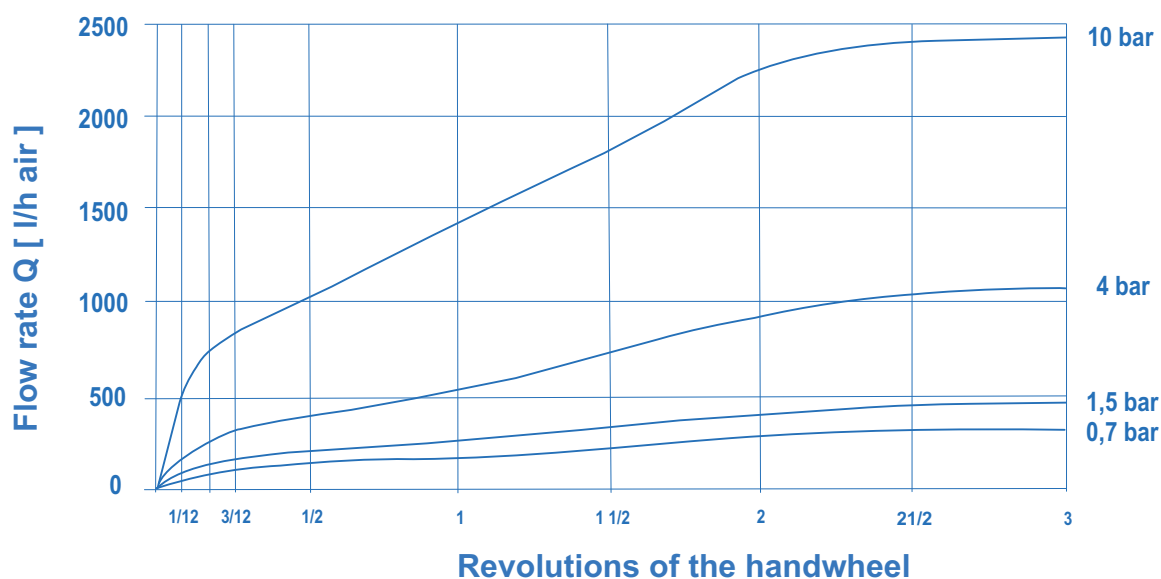
Weight	0,5 kg
--------	--------

Leak rate	10^{-8} mbarl/s He
-----------	----------------------

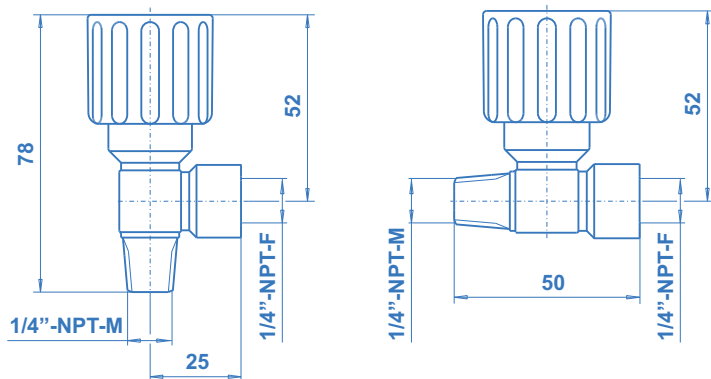
Flow rate control valve	see flow curves
-------------------------	-----------------

c_v -value shut-off valve	$c_v = 0,08$
-----------------------------	--------------

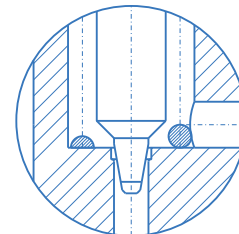
Flow curves control valve V6E-3



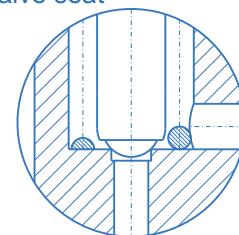
Dimensions valves V6E-3



Detail:
Control valve seat

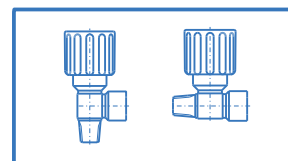


Detail:
Shut-off valve seat



Ordering information:
V6E-3 series valves

DV - V6E-3 - AV



Type

DV - globe valve
EV - angle valve

Function

AV - shut-off valve
CV - control valve

Part numbers: control valves

globe valve DV-V6E-CV: **71801029**
angle valve EV-V6E-CV: **71800990**

Part numbers: shut-off-valves

globe valve DV-V6E-AV: **71800992**
angle valve EV-V6E-AV: **71800991**

Specifications

- SPECTROCEM - components guarantee maximum quality by using high grade materials and a quality assurance program acc. to ISO 9001.
- All components which come into contact with the medium are cleaned in an ultrasonic cleaning system (CFC-free) with the special cleaning process SPECTRO-CLEAN® and are then baked out.
- SPECTROCEM - components undergo a 100% Helium-leak-test.

Important note regarding component selection

- In order to assure safe operation it is essential to take the configuration of the whole system into account when selecting a control valve.
- The function of the valve, the compatibility of the materials, correlating temperature ranges, correct installation, operation and maintenance in accordance with the relevant regulations are the responsibility of the system designer and the user.